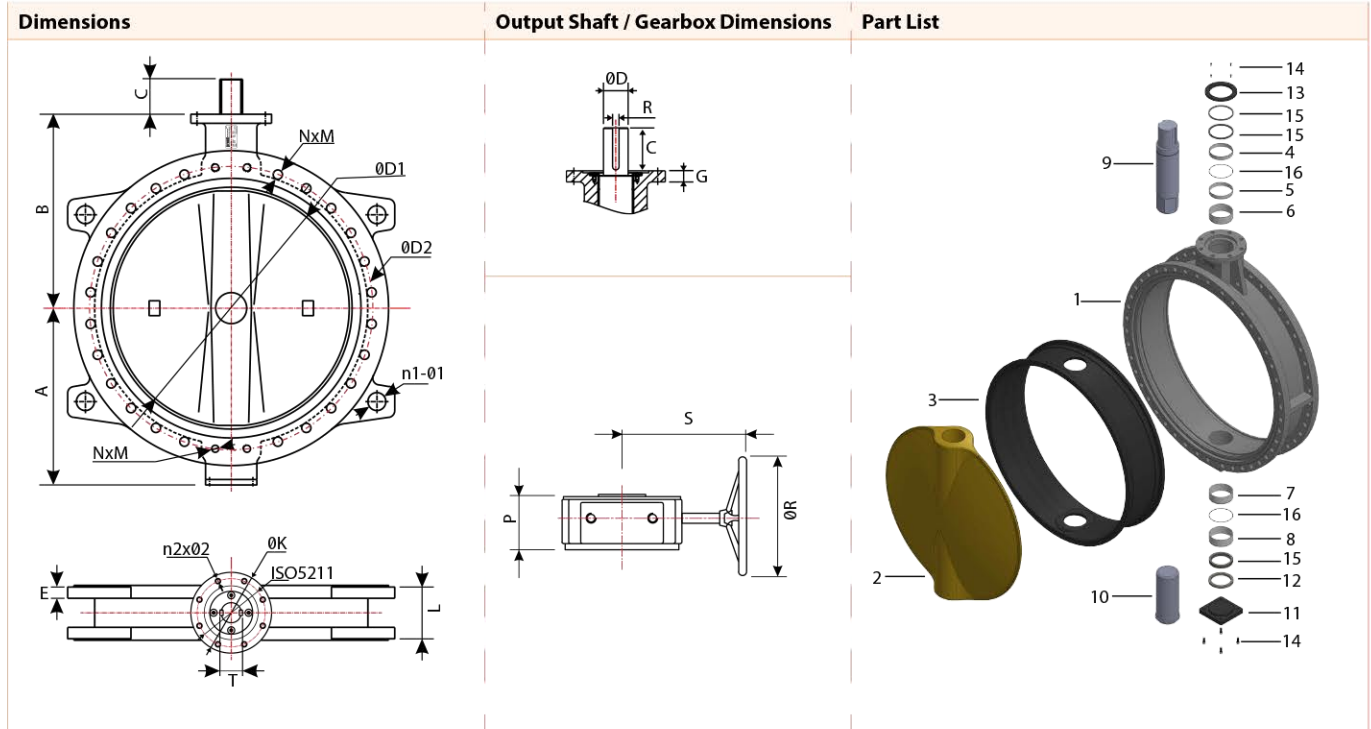


V103 Series U-Section Short Flanged DN400-1800 Wafer Butterfly Valves

- Available in sizes from DN400 to DN1800.
- Tongue and groove design, field-replaceable resilient rubber seats for a wide variety of applications and media.
- Bidirectional bubble tight shut off at full rated pressure of 16 bar(g).
- Flange locating holes drilled to meet PN10/PN16 or ANSI Class 150 flanges.



Material List

No	Part Name	Material	No	Part Name	Material	No	Part Name	Material
1	Body	Epoxy Coated GG25 Cast Iron	3	Seat	EPDM (-30° C ~ +130° C)	10	Lower Stem	AISI420 Stainless Steel
		Epoxy Coated GGG40 Ductile Iron			NBR (-20° C ~ +100° C)			AISI316 Stainless Steel
		AISI304 Stainless Steel			Silicon (-30° C ~ +200° C)			Carbon Steel
		AISI316 Stainless Steel			Viton (-15° C ~ +200° C)			Brass
2	Disc	AISI316 Stainless Steel	4/5/6/7/8	Bushing	Bronze / PTFE	11	Plug	Carbon Steel
		Rilsan Coated Nylon11 GGG40 Ductile Iron	9	Upper Stem	AISI420 Stainless Steel	12	Sealing Ring	Brass
		Alu-Bronze			AISI316 Stainless Steel	13	Stopper	Carbon Steel
		ETFE Lined AISI316 Stainless Steel			AISI316 Stainless Steel	14	Screw	Stainless Steel
						15/16	O-Ring	NBR/Viton

Dimensions(mm)

DN	A	B	C	E	G	L	ØD	ØD1	ØD2			P	S	ØR	T	R	ØK	ISO 5211	n2xØ2	nxM			n1-Ø1			Net Unit Weight (kg)
									#150	PN10	PN16									#150	PN10	PN16	#150	PN10	PN16	
450	315	425	80	32	25	114	38	440,5	578	565	585	110	254	300	41	12	175	140	4x18	16x32	20x28	20x31	-	-	-	213
500	363	485	80	35	25	127	42	491	635	620	650	110	254	300	45	12	175	140	4x18	20x32	20x28	20x34	-	-	-	321
600	459	565	80	44	25	154	50	579	749,5	725	770	128	301	400	53,5	14	210	165	4x23	20x35	20x31	20x37	-	-	-	432
700	537	629	95	39,5	33	165	55	681,8	863,6	840	840	128	301	400	63	16	300	254	8x18	24x35	20x31	20x37	4x11/4"-7	4x27	4x33	548
800	601	666	95	43	33	190	55	772,2	977,9	950	950	157	355	400	63	16	300	254	8x18	24x41	20x34	20x41	4x11/2"-6	4x30	4x36	725
900	656	720	130	46,5	34	203	75	873,6	1085,9	1050	1050	157	355	400	84	20	300	254	8x18	28x41	24x34	24x41	4x11/2"-6	4x30	4x36	972
1000	720	800	130	50	38	216	85	976,3	1200,1	1160	1170	170	377,5	400	95	22	300	254	8x18	32x41	24x37	24x44	4x11/2"-6	4x33	4x39	1249
1200	864	940,7	150	57	35	254	105	1185,2	1422,4	1380	1390	209	476	450	117	28	350	298	8x22	40x41	28x41	28x44	4x11/2"-6	4x36	4x39	1900
1400	1014	1009	150	46	45	279	120	1381	1651	1590	-	280	571	500	134	32	415	356	8x33	44x48	32x44	-	4x13/4"-5	4x39	-	2300
1600	1070	1155	180	49	45	318	160	1581	-	1820	-	280	571	500	178	40	415	356	8x33	-	36x50	-	-	4x45	-	3540
1800	1177,5	1177,5	200	52	50	457	180	1767,1	-	2020	-	303	665	500	200	45	475	406	8x39	-	40x50	-	-	4x45	-	5900